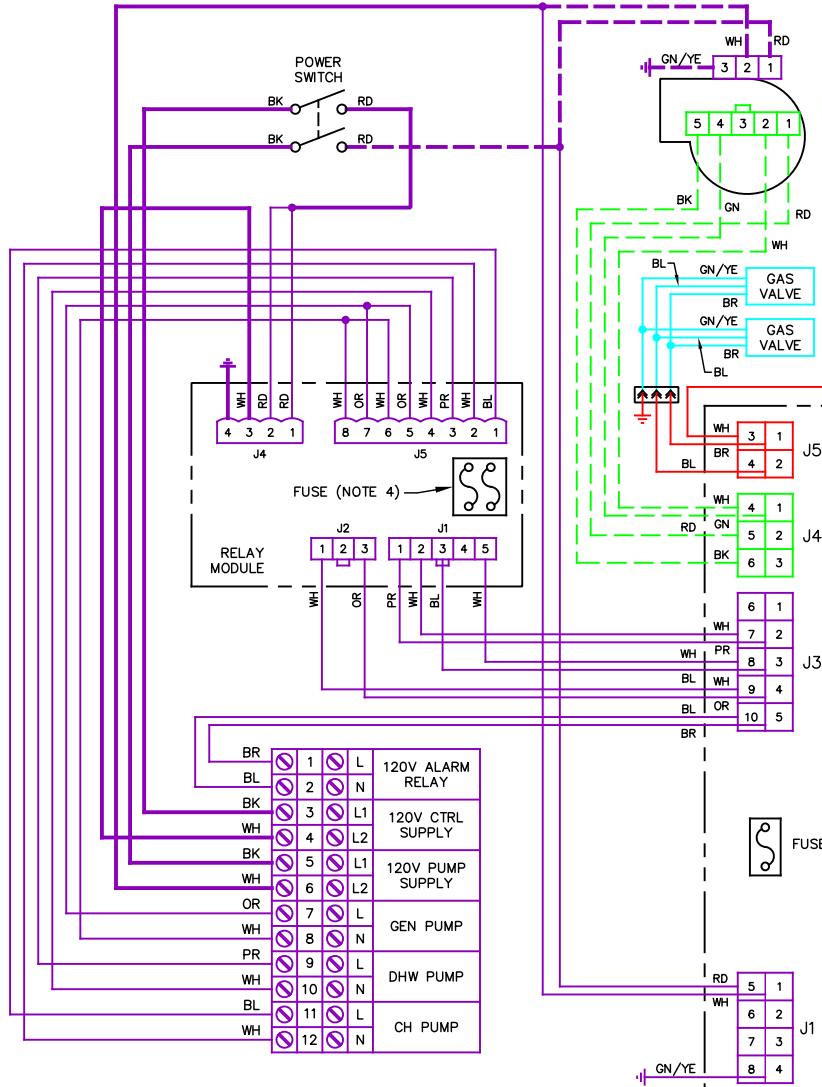
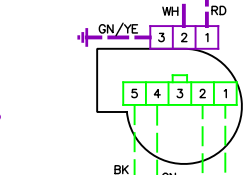


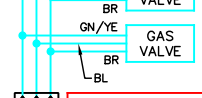
# PFC7003



# PFC7001

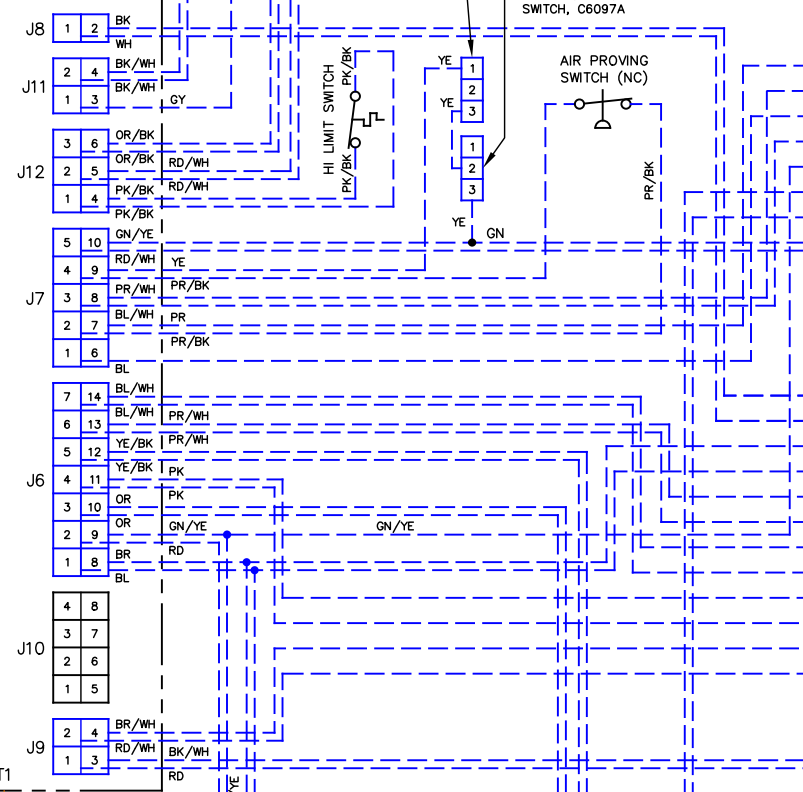


# PFC7004



# PFC7007

975 MN



# PFC7002

PR	13	OV/GND	WATER PRESS. SW.
PR/WH	14	SEN.	HEAT EX. FLOW SW.
BL	15	+5V	MODBUS
BL/WH	16	SEN.	
GN/YE	17	GND	PUMP SPEED
YE	18	B/-	
BR/WH	19	A/+	ANALOG 0-10V
GN	20	OV	
RD/WH	21	PWM	
BK/WH	22	-	
RD	23	+	

BK	24	CASCADE DEPENDENT
WH	25	CASCADE DEPENDENT
BR	26	CASCADE MANAGING
BL	27	CASCADE MANAGING
PR/WH	28	SYSTEM SENSOR
PR/WH	29	SYSTEM SENSOR
BL/WH	30	OUTDOOR SENSOR
BL/WH	31	OUTDOOR SENSOR
PK	32	DHW SENSOR/STAT
PK	33	DHW SENSOR/STAT
BR/WH	34	CH STAT
RD/WH	35	CH STAT

- ~~~~~ HIGH VOLTAGE
- IGNITION CABLE
- LINE VOLTAGE
- 14 GAUGE WIRE
- LINE VOLTAGE
- 16 GAUGE WIRE
- LINE VOLTAGE
- 18 GAUGE WIRE
- - - LOW VOLTAGE
- 22 GAUGE WIRE

### COLOR ABBREVIATION KEY

BK	BLACK	BK/WH	BLACK/WHITE
BL	BLUE	BL/WH	BLUE/WHITE
BR	BROWN	BR/WH	BROWN/WHITE
GN	GREEN	RD/WH	RED/WHITE
GY	GREY	PR/WH	PURPLE/WHITE
OR	ORANGE	OR/BK	ORANGE/BLACK
PK	PINK	PK/BK	PINK/BLACK
PR	PURPLE	PR/BK	PURPLE/BLACK
RD	RED	YE/BK	YELLOW/BLACK
WH	WHITE	GN/YE	GREEN/YELLOW
YE	YELLOW		

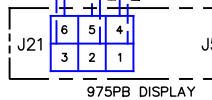
### NOTES:

- ALL WIRING MUST COMPLY WITH APPLICABLE CODES, ORDINANCES AND REGULATIONS.
- IF ANY OF THE ORIGINAL WIRE AS SUPPLIED WITH THE APPLIANCE MUST BE REPLACED, IT MUST BE REPLACED WITH WIRE AS SHOWN.
- POWER SUPPLY TO L1 AND L2 MUST BE A FUSED DISCONNECT; 120VAC/60HZ/1 PHASE.
- FUSES: 975MN - 5mm X 20mm, 5.0 Amp, SLOW BLOW  
RELAY MODULE - 5mm X 20mm, 10 Amp X 2

# PFC7011

# PFC7009

# PFC7010



# PFC7008

